

Genuine Spare Parts

www.stiga.com

COMPACT E HST

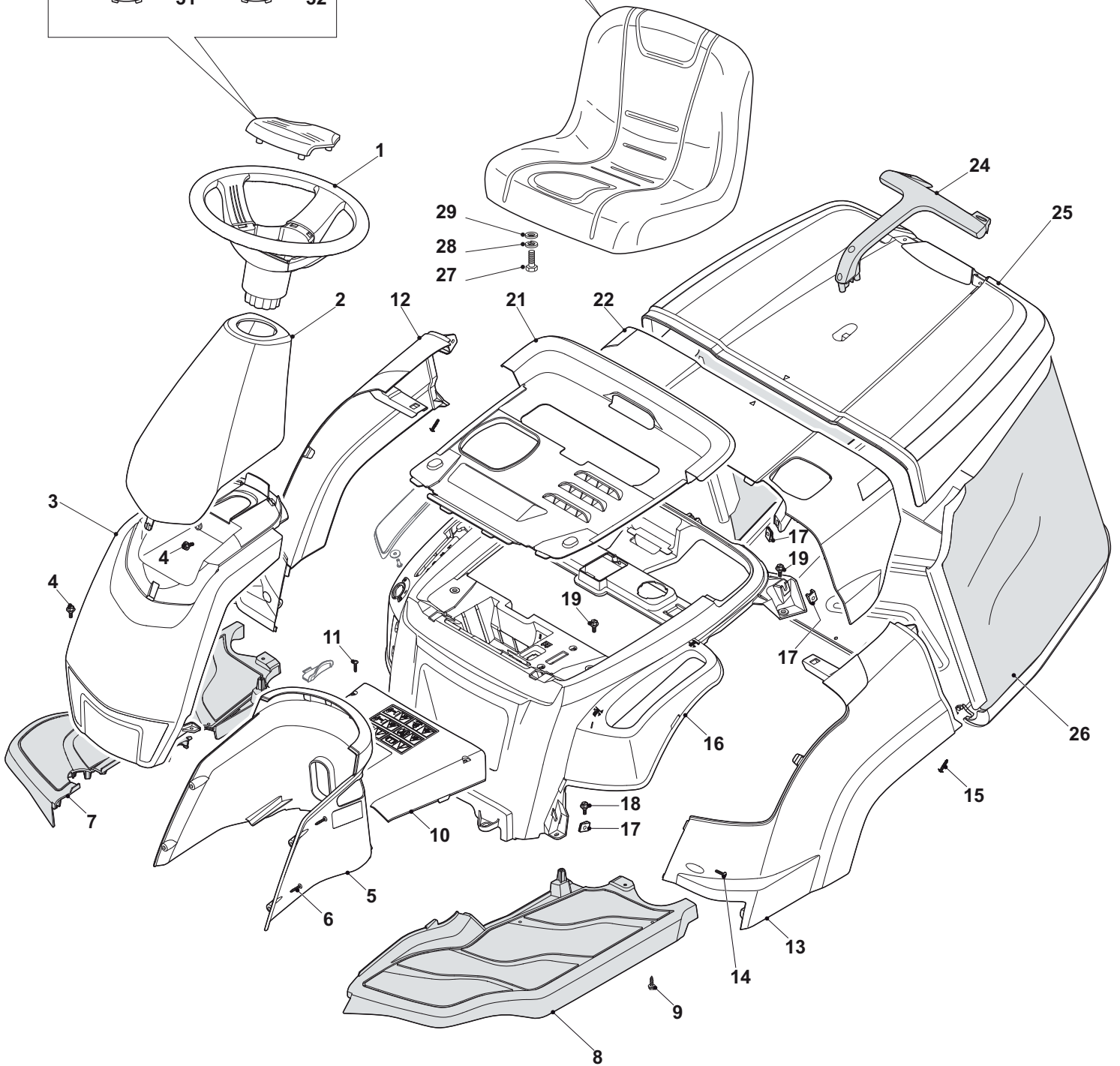
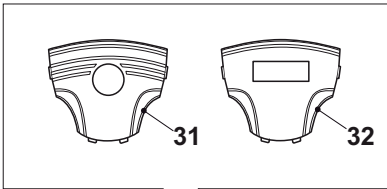
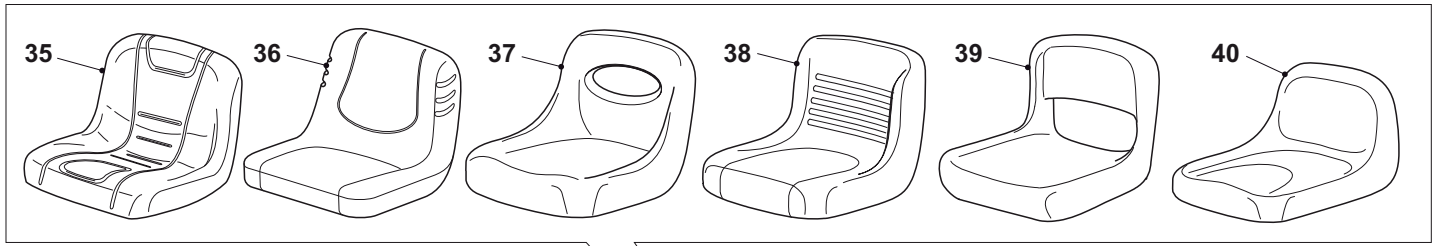
- Use GLOBAL GARDEN PRODUCT genuine spare parts specified in the parts list for repair and/or replacement.
- Then contents described in the parts list may change due to improvement.
- The drawings of the spare part are only indicative and might not represent the part in question exactly.
- The indications "right" - "left" - "front" - "rear" refer to the position of the operator when using the machine.
- When placing orders of parts for repair and/or replacement, make sure that the illustrated parts list is the one applying to the machine's year of manufacture, as shown on the identification plate attached to the machine.

© Copyright 2013 Global Garden Products

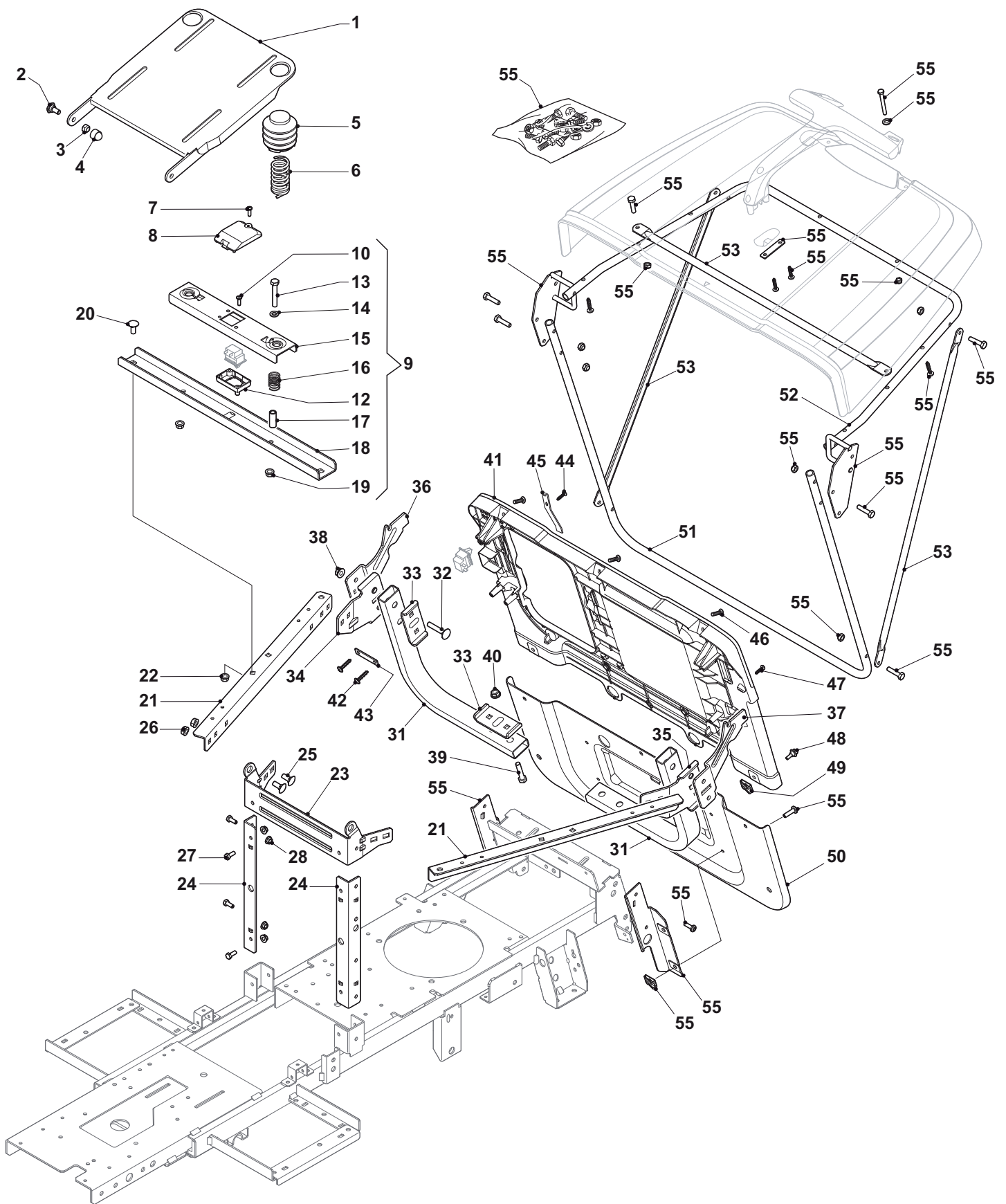
All content is subject to copyright by Global Garden Products and may not be reproduced in whole or in part by any means, electronic or otherwise, without prior written approval.

THIS INFORMATION IS NOT INTENDED FOR SALE OR RESALE, AND THIS NOTICE MUST REMAIN ON ALL COPIES.

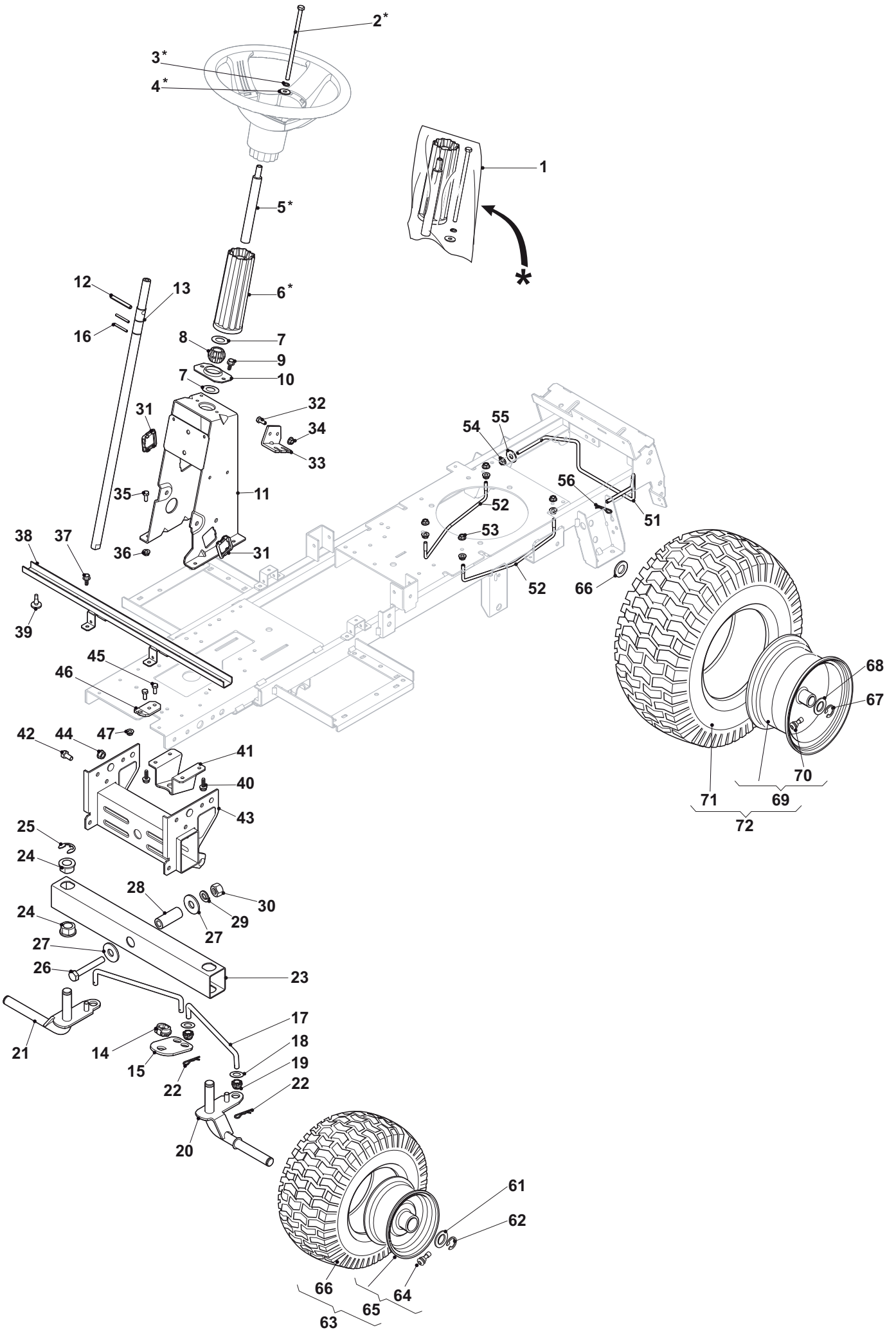




Body					
Pos Fig	Art nr Part No	Antal Quantity	Description	Benämning	Anmärkning Notes
1	325961220/0	1	Steering Wheel	Ratt	
2	327110519/0	1	Steering Column Cover, Grey ST	Kåpa, Grå STIGA	
3	327110492/0	1	Front Cover, Yellow	Kåpa- främre, Gul	
4	125943010/0	4	Screw	Skruv	
5	327110518/0	1	Rear Cover, Grey STIGA	Kåpa- bakre, Grå STIGA	
6	112728300/0	4	Screw	Skruv	
7	327500501/0	1	Right Footboard	Fotstegsskydd- hö	
8	327500500/0	1	Left Footboard	Fotstegsskydd- vä	
9	112735402/0	14	Screw	Skruv	
10	327110516/0	1	Central Cover, Grey	Kåpa, Grå STIGA	
11	112728300/0	2	Screw	Skruv	
12	327110488/0	1	Right Wheels Cover, Yellow	Hjulkåpa- hö, Gul	
13	327110490/0	1	Left Wheels Cover, Yellow	Hjulkåpa- vä, Gul	
14	112727801/0	6	Screw	Skruv	
15	112728300/0	6	Screw	Skruv	
16	327110517/0	1	Frame Cover, Grey	Kåpa, Grå STIGA	
17	112437507/0	10	Rapid Fixing Plate	Låsbleck	
19	125943010/0	6	Screw	Skruv	
21	327110481/0	1	Engine Cover Black	Motorkåpa-Svart	
22	327110494/0	1	Cover, Yellow	Uppsamlarlock- fast, Gul	
22	327110532/0	1	Cover, Green	Uppsamlarlock- fast, Grön	
24	327394004/0	1	Handle, Black	Handtag, Svart	
25	327110484/0	1	Grass-Catcher Cover, Yellow	Uppsamlarlock- rörligt, Gul	
25	327110531/0	1	Grass-Catcher Cover, Green	Uppsamlarlock- rörligt, Grön	
26	184106074/0	1	Box, Fabric	Uppsamlingsäck	
27	112793101/0	4	Screw	Skruv	
28	112583500/0	4	Grower	Låsbricka	
29	112523060/0	4	Washer	Bricka	
32	325580504/0	1	Steering Plate	Rattkåpa	
38	125722471/0	1	Seat	Sits	

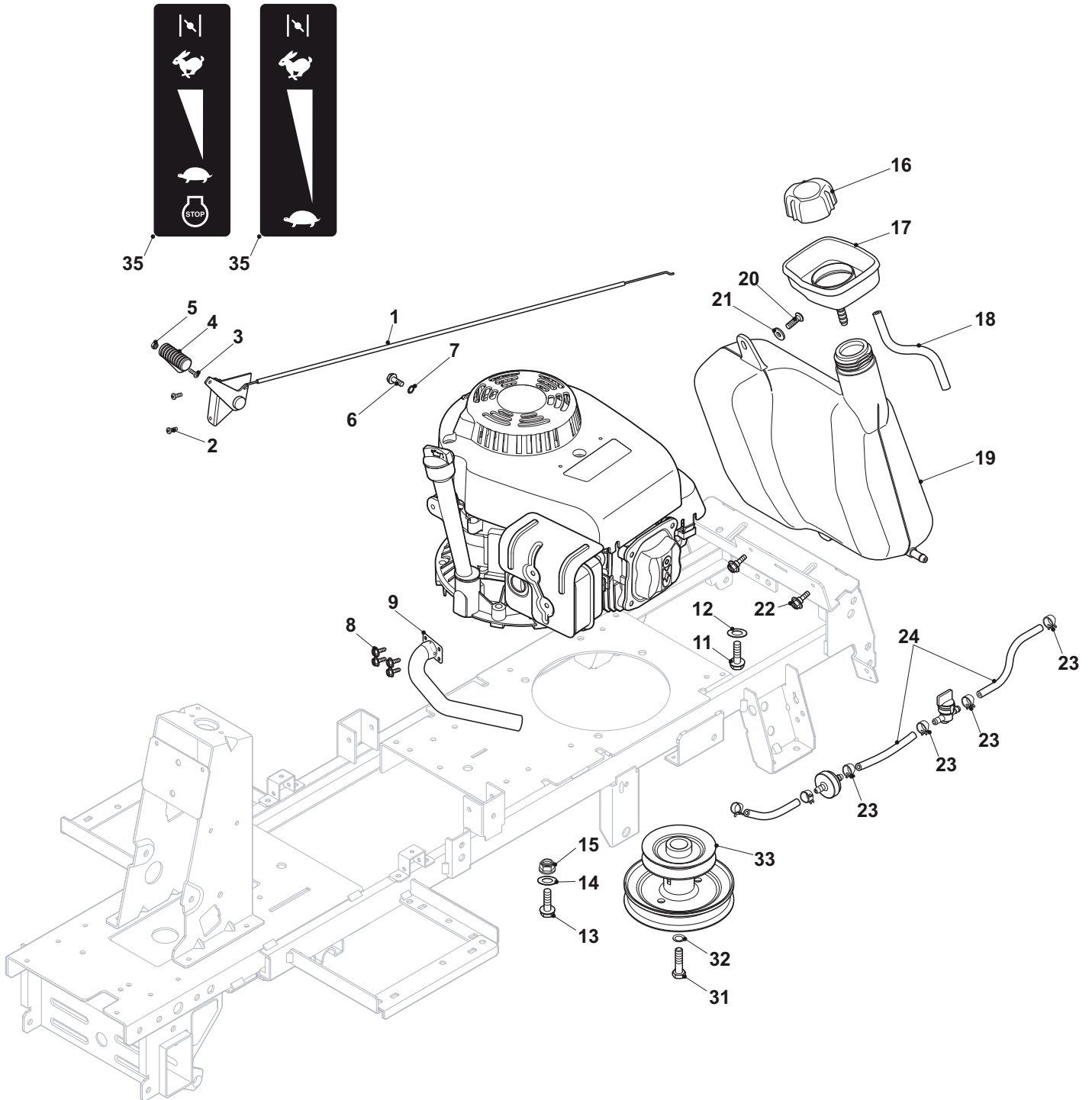


Chassis					
Pos Fig	Art nr Part No	Antal Quantity	Description	Benämning	Anmärkning Notes
1	382547061/0	1	Plate	Platta	
2	122524970/3	2	Pin	Stift	
3	112155010/0	2	Nut	Mutter	
4	118203854/0	2	Screw	Skruv	
5	327737500/0	2	Protection Hood	Skyddshuv	
6	127430589/0	2	Spring	Fjäder	
7	112728706/0	1	Screw	Skruv	
8	327110508/0	1	Switch Cover	Skyddslock	
9	384394751/0	1	Operator presence, micro kit	Operatör närvaro, mikro-kit	
10	112728686/0	2	Screw	Skruv	
11	119410613/0	1	Micro Switch	Mikrobrytare	
12	325785379/0	1	Support	Stöd	
13	112691400/0	2	Screw	Skruv	
14	112521350/0	2	Washer	Bricka	
15	327543047/0	1	Plate	Plåt	
16	125430263/0	2	Spring	Fjäder	
17	125160048/0	2	Spacer	Distans	
18	327787089/0	1	Support	Stöd	
19	112293201/0	2	Nut	Mutter	
20	112818690/0	2	Screw	Skruv	
21	327650131/0	2	Upper Stiffening	Förstärkning-överdel	
22	112293201/0	2	Nut	Mutter	
23	327543039/0	1	Backup Plate	Stödplatta	
24	327010209/0	2	Stiffening	Förstärkning	
25	112818690/0	8	Screw	Skruv	
26	112293201/0	8	Nut	Mutter	
27	112791200/1	8	Screw	Skruv	
28	112154510/0	8	Nut	Mutter	
31	327869063/0	2	Support	Stöd	
32	112819105/0	4	Screw	Skruv	
33	327543029/0	4	Plate	Plåt	
34	327772171/0	1	Bracket, Right	Klämma	
35	327772213/0	1	Support	Stöd	
36	327772225/0	1	Bracket, Left	Klämma	
37	327772215/0	1	Support	Stöd	
38	112154210/0	4	Nut	Mutter	
39	112691115/0	4	Screw	Skruv	
40	112154210/0	4	Nut	Mutter	
41	327543027/0	1	Plate	Plåt	
42	112728300/0	4	Screw	Skruv	
43	322545142/0	2	Plate	Platta	
44	112728300/0	1	Screw	Skruv	
45	127430554/0	1	Spring	Fjäder	
46	112727801/0	3	Screw	Skruv	
47	112728300/0	2	Screw	Skruv	
48	125943010/0	2	Screw	Skruv	
49	112437507/0	2	Rapid Fixing Plate	Platta	
50	327543025/0	1	Plate	Plåt	
51	384801145/0	1	Grasscatcher Frame	Ram- främre	
52	384801147/0	1	Grasscatcher Upper Frame	Ram- övre	
53	327650133/0	3	Upper Stiffening	Förstärkningsstag	
55	384180218/0	1	Screws Outfit	Skruvar Klädsel	



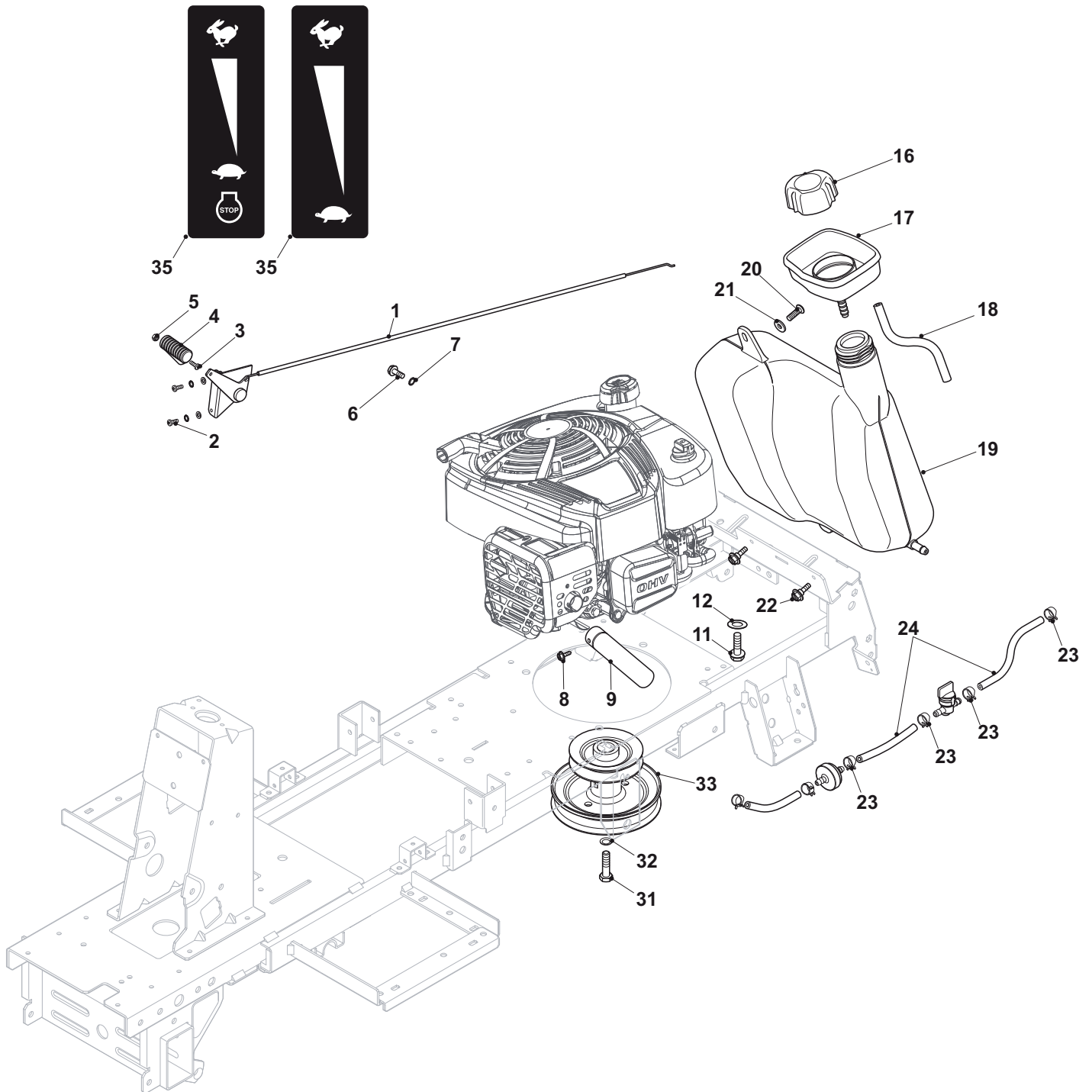
Steering

Pos Fig	Art nr Part No	Antal Quantity	Description	Benämning	Anmärkning Notes
1	384180219/0	1	Outfit, Screws	Skrubar Klädsel	
2	127840055/0	1	Screw	Skruv	
3	112540260/0	1	Grower	Låsbricka	
4	112523070/0	1	Washer	Bricka	
5	127160060/0	1	Extension column	Rörförlängning	
6	325785419/0	1	Steering Wheel Support	Stöd	
7	125670023/0	2	Washer	Bricka	
8	122746617/0	1	Joint	Kulled	
9	112735121/0	2	Screw	Skruv	
10	327787091/0	1	Support	Stöd	
11	384773575/0	1	Front Bracket Support	Klämma- fram	
12	112620300/0	1	Pin	Stift	
13	384520051/0	1	Steering Column	Styrstäng	
14	327045073/0	1	Bush	Bussning	
16	112620210/0	2	Elastic Pin	Stift	
17	127034091/0	2	Rod	Parallellstag	
18	112521350/0	4	Washer	Bricka	
19	327045072/0	4	Bush	Bussning	
20	384230411/0	1	Left Stub Axle	Hjulspindel- vä	
21	384230409/0	1	Right Stub Axle	Hjulspindel- hö	
22	124487995/0	4	Cotter Pin	Låsnål	
23	327869061/0	1	Front Wheel Axle	Framaxel	
24	127047019/0	4	Bushing	Bussning	
25	112000970/0	2	Benzing Ring	Låsring	
26	112794950/0	1	Screw	Skruv	
27	112523080/0	2	Washer	Bricka	
28	127160062/0	1	Spacer	Distans	
29	112585100/0	1	Washer	Bricka	
30	112295200/0	1	Nut	Mutter	
31	327580500/0	2	Plate	Platta	
32	112791200/1	2	Screw	Skruv	
33	327772199/0	1	Front Bracket	Klämma- fram	
34	112292102/0	2	Nut	Mutter	
35	112791200/1	4	Screw	Skruv	
36	112292102/0	4	Nut	Mutter	
37	112735122/0	4	Screw	Skruv	
38	384783061/0	1	Footboard Support	Stöd	
39	127275000/0	1	Grommet	Gummiplugg	
40	112735122/0	4	Screw	Skruv	
41	327772165/0	1	Bracket	Klämma	
42	112792611/0	4	Screw	Skruv	
43	384783059/0	1	Support	Stöd	
44	112293201/0	4	Nut	Mutter	
45	112791200/1	2	Screw	Skruv	
46	327772209/0	1	Bracket	Klämma	
47	112292102/0	2	Nut	Mutter	
51	127294009/0	1	Belt Guide	Remstyrning	
52	127294010/0	2	Belt Guide	Remstyrning	
53	112292102/0	8	Nut	Mutter	
54	112154510/0	1	Nut	Mutter	
55	112521330/0	1	Washer	Bricka	
56	124487997/0	1	Cotter Pin	Låsnål	
61	112000970/0	2	Benzing Ring	Låsring	
62	112521390/0	2	Washer	Bricka	
63	384680074/0	2	Front Wheel 13"	Framhjul kpl	Wheels Type A
64	125590000/0	2	Valve	Ventil	
65	184044015/0	2	Rimm 13"	Fälg	Wheels Type A
66	125590018/0	2	Shoe 13"	Däck	Wheels Type A
67	112001010/0	2	Benzing Ring	Låsring	
68	125670005/2	4	Washer	Bricka	
69	184044013/0	2	Rimm	Fälg	
70	125590000/0	2	Valve	Ventil	
71	127590068/0	2	Shoe 15"	Däck	Wheels Type A
72	384680076/0	2	Rear Wheel 15"	Framhjul kpl	Wheels Type A



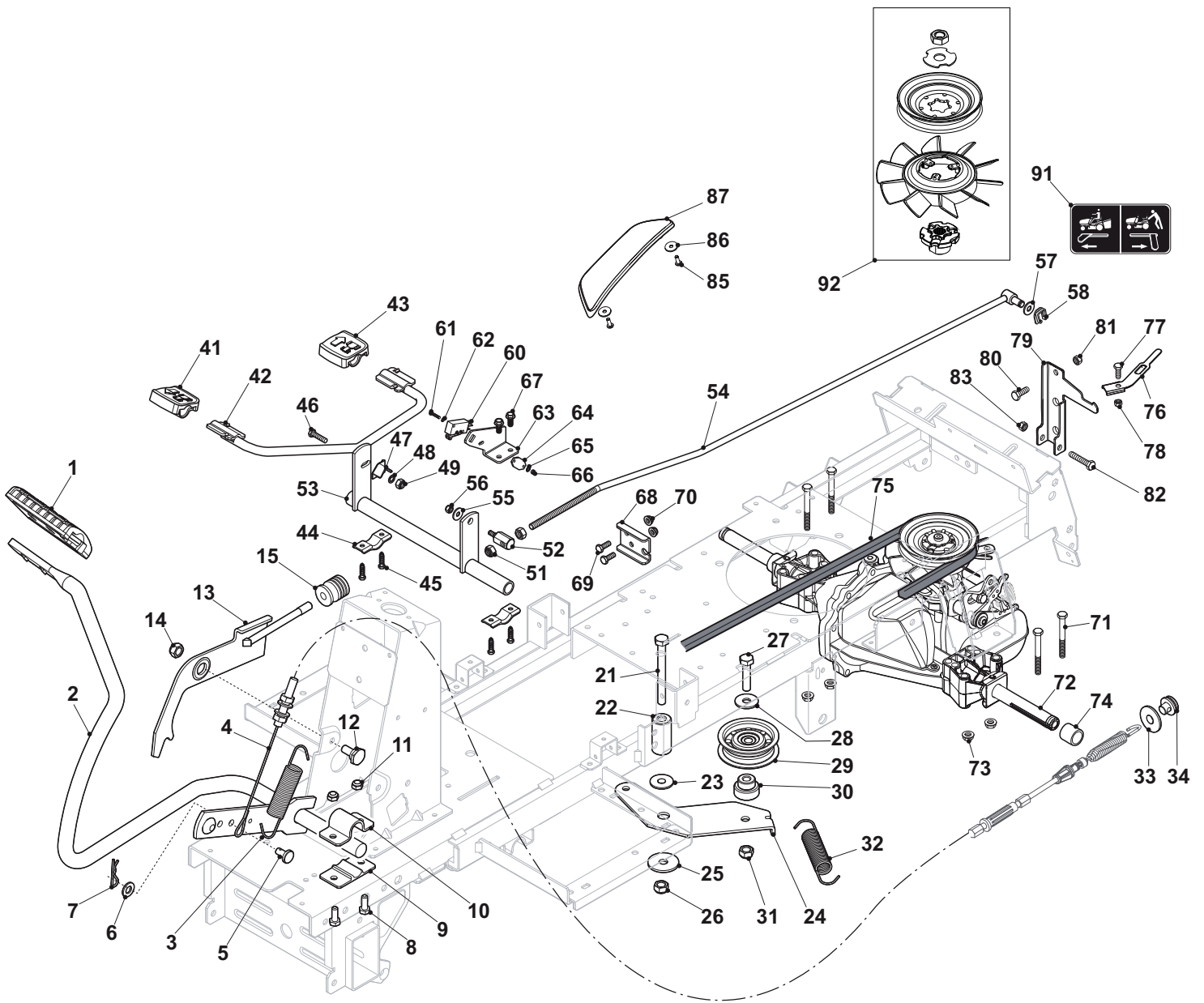
Engine - GGP

Pos Fig	Art nr Part No	Antal Quantity	Description	Benämning	Anmärkning Notes
1	184000256/0	1	Throttle Cable	Gasreglage	
2	125943012/0	2	Screw	Skruv	
3	112726388/0	1	Screw	Skruv	
4	125394501/0	1	Knob	Handtag	
5	112290800/0	1	Nut	Mutter	
6	112735599/0	1	Screw	Skruv	
7	112540040/0	1	Washer	Bricka	
8	112735110/0	4	Screw	Skruv	
9	118738251/0	1	Exhaust Connection	Avgasrör	
11	112735109/1	2	Screw	Skruv	
12	112540070/0	2	Washer	Bricka	
13	112691200/0	1	Screw	Skruv	
14	112521350/0	1	Washer	Bricka	
15	112154210/0	1	Nut	Mutter	
16	127790000/1	1	Fuel Cap	Tanklock	
17	327600180/0	1	Tank Protection	Skydd	
18	325869054/1	1	Connecting Tube	Bränsleslang	L= 450 mm
19	327733008/0	1	Fuel Tank	Tank	
20	112727801/0	1	Screw	Skruv	
21	112523040/0	1	Washer	Bricka	
22	125943010/0	2	Screw	Skruv	
23	118375051/1	4	Fair Led	Slangklämma	
24	325869035/1	1	Connecting Tube	Bränsleslang	L= 150 mm
31	112736850/0	1	Screw	Skruv	Wheels Type A
32	112543000/0	1	Washer	Bricka	
33	384601500/0	1	Pulley, Front Wheel 13"	Remskiva	Wheels Type A
35	114366905/0	1	Label, Throttle	Dekal	

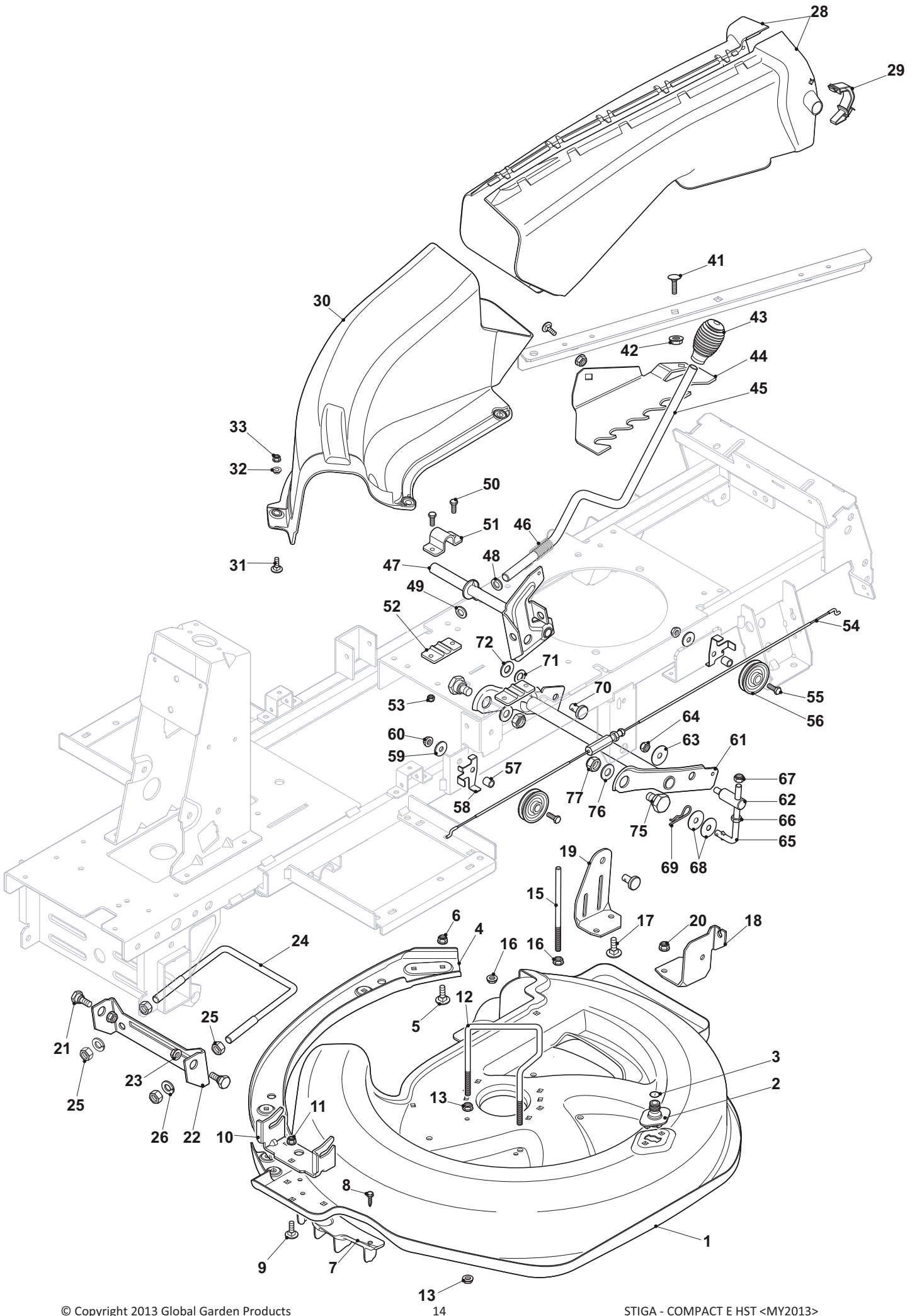


Engine - B&S

Pos Fig	Art nr Part No	Antal Quantity	Description	Benämning	Anmärkning Notes
1	184000256/0	1	Throttle Cable	Gasreglage	
2	125943012/0	2	Screw	Skruv	
3	112726388/0	1	Screw	Skruv	
4	125394501/0	1	Knob	Handtag	
5	112290800/0	1	Nut	Mutter	
6	112735599/0	1	Screw	Skruv	
7	112540040/0	1	Washer	Bricka	
8	112735110/0	1	Screw	Skruv	
9	118738252/0	1	Exhaust Connection	Avgasrör	
11	112735108/1	3	Screw	Skruv	
12	112540070/0	3	Washer	Bricka	
16	127790000/1	1	Fuel Cap	Tanklock	
17	327600180/0	1	Tank Protection	Skydd	
18	325869054/1	1	Connecting Tube	Bränsleslang	L= 450 mm
19	327733008/0	1	Fuel Tank	Tank	
20	112727801/0	1	Screw	Skruv	
21	112523040/0	1	Washer	Bricka	
22	125943010/0	2	Screw	Skruv	
23	118375051/1	4	Fair Led	Slangklämma	
24	325869035/1	1	Connecting Tube	Bränsleslang	L= 150 mm
31	112736850/0	1	Screw	Skruv	Wheels Type A
32	112543000/0	1	Washer	Bricka	
33	384601500/0	1	Pulley, Front Wheel 13"	Remskiva	Wheels Type A
35	114366874/0	1	Label, Throttle	Dekal	

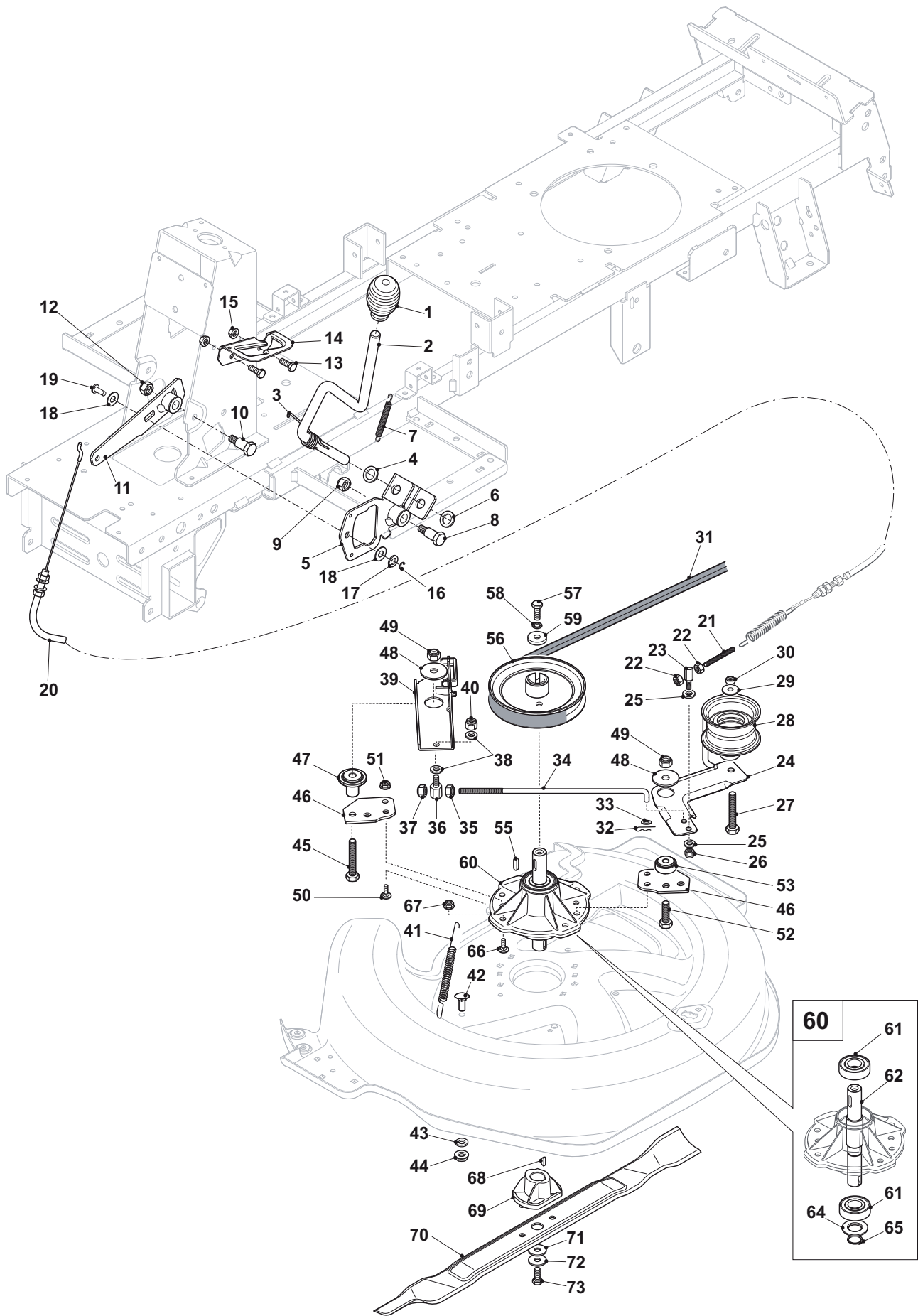


Transmission					
Pos Fig	Art nr Part No	Antal Quantity	Description	Benämning	Anmärkning Notes
1	325110409/0	1	Clamp Cover	Pedalgummi	
2	384503013/0	1	Pedal	Pedal	
3	127430594/0	1	Spring	Fjäder	
4	384004604/0	1	Wire	Wire	
5	127510120/0	1	Pin	Stift	
6	112521350/0	1	Washer	Bricka	
7	124487997/0	1	Cotter Pin	Låsnål	
8	112791400/0	4	Screw	Skruv	
9	325785350/0	2	Support	Stöd	
10	325547231/0	2	Plate	Bygel	
11	112154510/0	4	Nut	Mutter	
12	122524970/3	1	Pin	Stift	
13	384002097/0	1	Brake Control Rod	Stång	
14	112154210/0	1	Nut	Mutter	
15	127395050/1	1	Knob	Knopp	
21	112691900/0	1	Screw	Skruv	
22	127160065/0	1	Spacer	Distans	
23	122041980/0	1	Bushing	Bussning	
24	327315139/0	1	Tightener Lever	Spännarm	
25	112523070/0	1	Washer	Bricka	
26	112155000/0	1	Nut	Mutter	
27	112691115/0	1	Screw	Skruv	
28	112523060/0	1	Washer	Bricka	
29	127604015/0	1	Pulley	Remskiva	
30	127160064/0	1	Spacer	Distans	
31	112155000/0	1	Nut	Mutter	
32	127430594/0	1	Spring	Fjäder	
33	112521360/0	1	Washer	Bricka	
34	127510124/0	1	Pin	Stift	
41	325110274/0	1	Clamp Cover Front	Pedalgummi- fram	
42	384503011/0	1	Drive Pedal	Drivpedal	
43	325110331/0	1	Clamp Cover Rear	Pedalgummi- bak	
44	327546015/2	2	Plate	Platta	
45	112731350/0	4	Screw	Skruv	
46	112791400/0	1	Screw	Skruv	
47	127063022/0	1	Cam	Kam	
48	112521330/0	1	Washer	Bricka	
49	112154510/0	1	Nut	Mutter	
51	112155000/0	1	Nut	Mutter	
52	127510103/0	1	Pin	Stift	
53	112293200/0	1	Nut	Mutter	
54	384002095/0	1	Rod	Stång	
55	112523040/0	1	Washer	Bricka	
56	112154510/0	1	Nut	Mutter	
57	325670011/0	1	Antifriction Washer	Bricka	
58	112436050/0	1	Plate	Platta	
60	119410609/0	1	Microinterrupteur	Mikrobrytare	
61	112735602/0	2	Screw	Skruv	
62	112581100/0	2	Grower	Låsbricka	
63	327543053/0	1	Backup Plate	Stödplatta	
64	327546019/0	1	Neutral Switch Fixing Plate	Platta	
65	112540020/0	2	Washer	Bricka	
66	112290791/0	2	Nut	Mutter	
68	327772223/0	1	Bracket	Klämma	
69	112791200/1	2	Screw	Skruv	
70	112292102/0	2	Nut	Mutter	
71	112691600/0	4	Screw	Skruv	
72	118400980/0	1	Transmission Unit	Transaxel kpl	Hydro-Gear T2-AJBF-2X3C-16X1
73	112154210/0	4	Nut	Mutter	
74	127160063/0	2	Spacer	Distans	
75	135061429/0	1	Belt	Drivrem	
76	327315137/0	1	Lever	Spak	
77	112791011/0	1	Screw	Skruv	
78	112154510/0	1	Nut	Mutter	
79	327772187/0	1	Rear Bracket Support	Stödplatta- bak	
80	112792611/0	1	Screw	Skruv	
81	112155000/0	1	Nut	Mutter	
82	112691400/0	1	Screw	Skruv	
83	112155000/0	1	Nut	Mutter	
85	112735110/0	2	Screw	Skruv	
86	112523030/0	2	Washer	Bricka	
87	327110507/0	1	Cover	Kåpa	
91	114361451/0	1	Label	Dekal	
92	1139-2202-01	1	Fan Kit	Fan Kit	

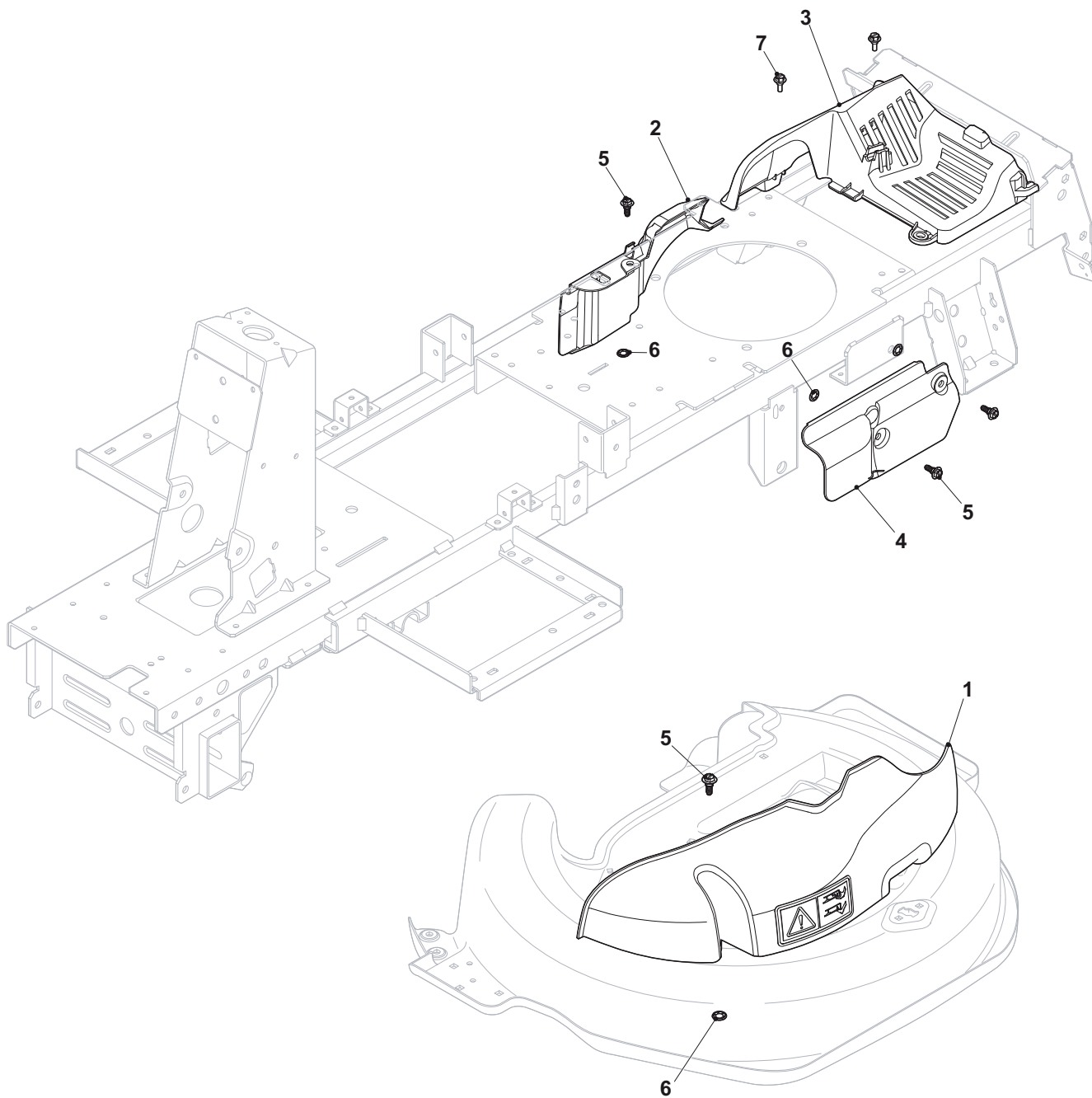


Cutting Plate and Lifting

Pos Fig	Art nr Part No	Antal Quantity	Description	Benämning	Anmärkning Notes
1	384564114/0	1	Cutting Plate Black	Klippaggregat, Svart	
2	325033086/0	1	Water Hose Connection	Vattenslananslutning	
3	119035000/0	1	O Ring	O Ring	
4	384650107/0	1	Stiffening	Förstärkning	
5	112815200/0	4	Screw	Skruv	
6	112292102/0	4	Nut	Mutter	
7	327488001/0	1	Air Intake Grill	Luftintag	
8	112735402/0	3	Screw	Skruv	
9	112818690/0	3	Screw	Skruv	
10	327772175/0	1	Front Bracket	Klämma- fram	
11	112154210/0	3	Nut	Mutter	
12	127294008/0	1	Belt Guide	Remstyrning	
13	112292102/0	4	Nut	Mutter	
15	127580077/0	1	Belt Guide	Remstyrning	
16	112293201/0	2	Nut	Mutter	
17	112818690/0	4	Screw	Skruv	
18	327772179/0	1	Clamp	Klämma	
19	327772177/0	1	Clamp	Klämma	
20	112154210/0	4	Nut	Mutter	
21	127510121/0	2	Pin	Stift	
22	327543043/0	1	Plate	Platta	
23	112154210/0	2	Nut	Mutter	
24	127840056/0	1	Tie Rod	Spännstång	
25	112293200/0	4	Nut	Mutter	
26	112585100/0	2	Washer	Bricka	
28	384108054/0	1	Conveyor	Utkast	
29	325774499/0	2	Clamp	Klämma	
30	327107505/0	1	Conveyor	Utkast	
31	112815200/0	4	Screw	Skruv	
32	325160039/0	4	Spacer	Distans	
33	112292102/0	4	Nut	Mutter	
41	112818690/0	2	Screw	Skruv	
42	112293200/0	2	Nut	Mutter	
43	125394510/0	1	Knob	Knopp	
44	327734063/0	1	Sector, Height Adjustment	Höjinställn.sektor	Wheels Type A
45	327315135/0	1	Lever	Lyftspak	
46	127430595/0	1	Spring	Fjäder	
47	384001035/0	1	Axle	Lyftaxel	
48	112521370/0	1	Washer	Bricka	
49	122020050/0	1	Snap Ring	Låsbricka	
50	112791400/0	4	Screw	Skruv	
51	325547231/0	2	Plate	Platta	
52	325785350/0	2	Support	Stöd	
53	112154510/0	4	Nut	Mutter	
54	384004600/0	1	Lifting Wire	Lyftwire	Wheels Type A
55	112691100/0	2	Screw	Skruv	
56	125601579/0	2	Pulley	Wirerulle	
57	125040636/1	2	Bushing	Bussning	
58	327543037/0	2	Plate	Platta	
59	112523060/0	2	Washer	Bricka	
60	112293201/0	2	Nut	Mutter	
61	384001037/0	1	Axle	Lyftaxel	
62	127510125/0	1	Pin	Stift	
63	322672152/0	1	Antifriction Washer	Bricka	
64	112155000/0	2	Nut	Mutter	
65	127840057/0	1	Tie Rod	Spännstång	
66	112295200/0	4	Nut	Mutter	
68	322672152/0	2	Antifriction Washer	Bricka	
69	124487998/0	1	Cotter Pin	Låsnål	
70	127510114/0	1	Pin	Stift	
71	325670008/1	1	Washer	Bricka	
72	112521360/0	1	Washer	Bricka	
73	124487998/0	1	Cotter Pin	Låsnål	
75	127510123/0	2	Pin	Stift	
76	112521360/0	2	Washer	Bricka	
77	112156602/0	2	Nut	Mutter	

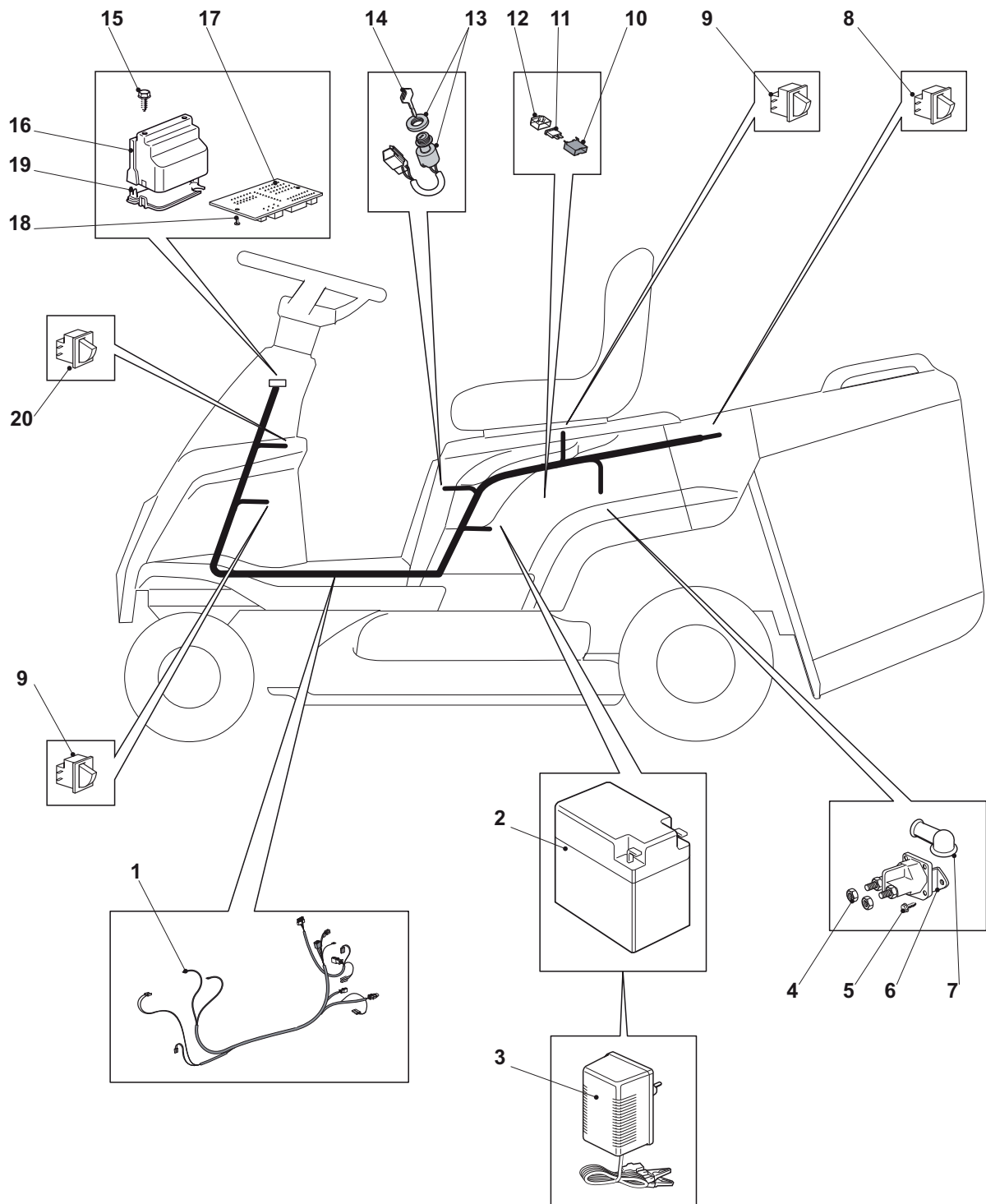


Blades Engagement					
Pos Fig	Art nr Part No	Antal Quantity	Description	Benämning	Anmärkning Notes
1	125394510/0	1	Knob	Knopp	
2	327315149/0	1	Lever	Spak	
3	127430595/0	1	Spring	Fjäder	
4	112521370/0	1	Washer	Bricka	
5	384317099/0	1	Lever	Spak	
6	122020050/0	1	Snap Ring	Låsbricka	
7	125430208/1	1	Spring	Fjäder	
8	127510122/0	1	Pin	Stift	
9	112154210/0	1	Nut	Mutter	
10	127510122/0	1	Pin	Stift	
11	384773577/0	1	Bracket	Klämma	
12	112154210/0	1	Nut	Mutter	
13	112815200/0	2	Screw	Skruv	
14	327734065/0	1	Sector	Sektor	
15	112292102/0	2	Nut	Mutter	
16	112000930/0	1	Benzing Ring	Låsring	
17	112521350/0	1	Washer	Bricka	
18	325670011/0	2	Antifriction Washer	Bricka	
19	125510085/1	1	Pin	Bult	
20	384004606/0	1	Wire	Wire	
21	125840036/0	1	Tie Rod	Spännstång	
22	112293200/0	2	Nut	Mutter	
23	127510126/0	1	Pin	Stift	
24	384307001/0	1	Tightener Lever	Spännarm	
25	325670011/0	2	Antifriction Washer	Bricka	
26	112155000/0	1	Nut	Mutter	
27	112691600/0	1	Screw	Skruv	
28	127604008/0	1	Pulley	Spännrulle	
29	112523060/0	1	Washer	Bricka	
30	112155000/0	1	Nut	Mutter	
31	135061428/0	1	Belt	Drivrem	
32	124487995/0	1	Cotter Pin	Låsnål	
33	325670011/0	1	Antifriction Washer	Bricka	
34	127034085/0	1	Rod	Stång	
35	112293200/0	1	Nut	Mutter	
36	127510126/0	1	Pin	Stift	
37	112155000/0	1	Nut	Mutter	
38	325670011/0	2	Antifriction Washer	Bricka	
39	384220505/0	1	Brake	Broms	
40	112155000/0	1	Nut	Mutter	
41	127430592/0	1	Spring	Fjäder	
42	112818690/0	1	Screw	Skruv	
43	112521350/0	1	Washer	Bricka	
44	112293201/0	1	Nut	Mutter	
45	112692395/1	1	Screw	Skruv	
46	327772191/0	2	Bracket	Klämma	
47	127047021/0	1	Bushing	Bussning	
48	112523090/0	2	Washer	Bricka	
49	112155020/0	2	Nut	Mutter	
50	112818700/0	4	Screw	Skruv	
51	112154210/0	4	Nut	Mutter	
52	112794400/0	1	Screw	Skruv	
53	127047017/0	1	Bushing	Bussning	
55	112139480/0	1	Feather	Kil	
56	127604014/0	1	Pulley	Remskiva	
57	112793102/0	1	Screw	Skruv	
58	112583500/0	1	Grower	Låsbricka	
59	125670007/0	1	Washer	Bricka	
60	384207251/0	1	Flange Ass.y	Vevhus kpl	
61	119216040/0	2	Bearing	Kullager	
62	127023003/0	1	Blade shaft	Knivaxel	
64	325160501/0	1	Dust Cover Disc	Dammskydd	
65	112609260/0	1	Seeger	Seegerring	
66	112818700/0	4	Screw	Skruv	
67	112154210/0	4	Nut	Mutter	
68	112139100/0	1	Key	Kil	
69	125463200/0	1	Blade Hub	Knivfäste	
70	184109505/0	1	Blade	Kniv	
71	112508125/0	1	Spring	Fjäder	
72	112523080/0	1	Washer	Bricka	
73	112735694/0	1	Screw	Skruv	

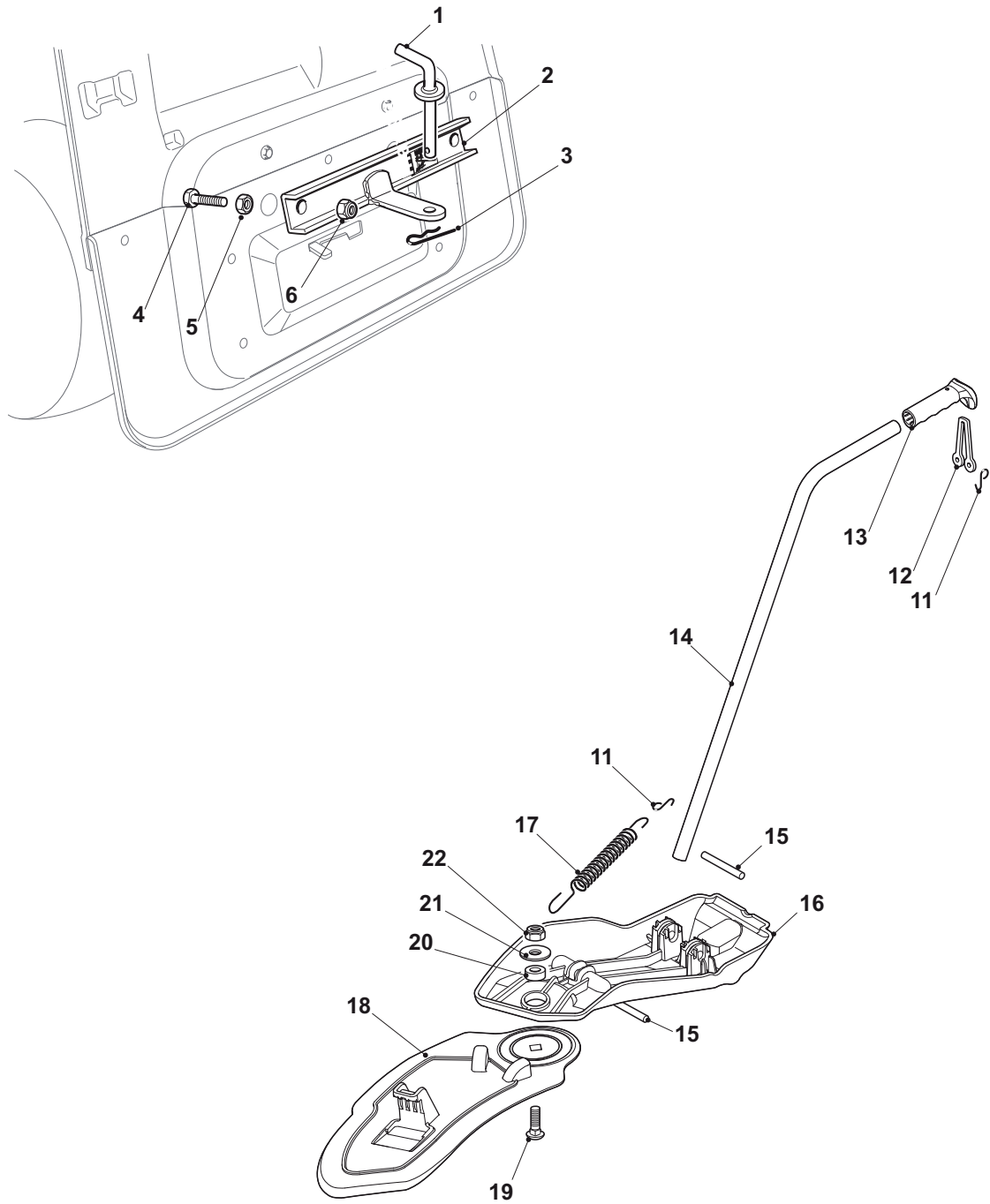


Guards

Pos Fig	Art nr Part No	Antal Quantity	Description	Benämning	Anmärkning Notes
1	327060111/0	1	Case	Kåpa	
2	327060109/0	1	Case	Kåpa	
3	327060108/0	1	Case	Kåpa	
4	327060110/0	1	Case	Kåpa	
5	125943011/0	5	Screw	Skruv	
6	112604899/0	4	Crown Fastener	Låsbricka	
7	125943010/0	2	Screw	Skruv	

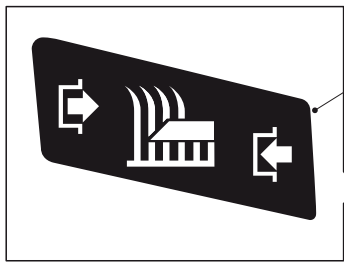


Electrical Parts						Electric Start
Pos Fig	Art nr Part No	Antal Quantity	Description	Benämning	Anmärkning Notes	
1	184040132/0	1	Cables	Kablage		
2	118120012/0	1	Battery	Batteri	CE plug	
3	182180051/0	1	Battery Charger	Batteriladdare	CE	
4	112360352/0	2	Nut	Mutter		
5	112735110/0	2	Screw	Skruv		
6	118736110/0	1	Starter Relay	Startrelä		
7	118564861/1	2	Protection	Polskydd		
8	119410618/0	1	Microswitch	Mikrobrytare		
9	119410613/0	2	Microswitch	Mikrobrytare		
10	133500007/0	1	Fuse Carrier	Säkringshållare		
11	133340040/0	1	Fuse 10A	Säkring 10A		
12	133215000/0	1	Cover	Lock		
13	118450075/1	1	Starting Switch	Tändningslås		
14	118210023/0	1	Starting Key	Tändningsnyckel		
15	112728523/0	2	Screw	Skruv		
16	127600119/0	1	Guard	Skydd		
17	127722354/0	1	Electronic Card	Elektronikkort		
18	112729601/1	2	Screw	Skruv		
19	127600118/0	1	Guard	Skydd		
20	119410614/0	1	Microswitch	Mikrobrytare		

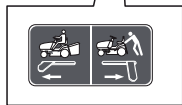
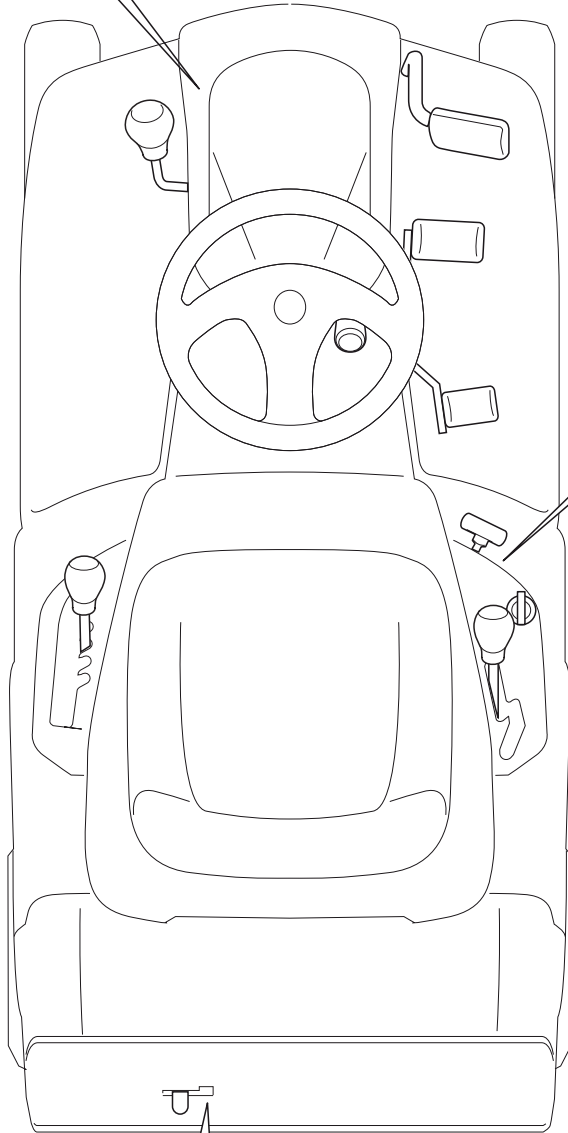


Optionals On Request

Pos Fig	Art nr Part No	Antal Quantity	Description	Benämning	Anmärkning Notes
1	125510021/1	1	Pin	Sprint	
2	382033109/0	1	Rod	Balk	
3	124487999/0	1	Cotter Pin	Låsnål	
4	112794300/0	2	Screw	Skruv	
5	112295200/0	2	Nut	Mutter	
6	112156602/0	2	Nut	Mutter	
11	125253004/0	3	Hook	Krok	
12	125840011/1	1	Elastic Tie-Rod	Gummiband	
13	325280000/1	1	Handgrip	Handtag	
14	327394003/2	1	Handle	Handtagsrör	
15	127510116/0	2	Pin	Stift	
16	327140058/0	1	Deflector, Rear	Deflektor- bak	
17	125430218/1	1	Spring	Fjäder	
18	327140057/0	1	Deflector, Front	Deflektor- fram	
19	112818700/0	1	Screw	Skruv	
20	127047013/0	1	Bushing	Bussning	
21	322672152/0	1	Washer	Bricka	
22	112155000/0	1	Nut	Mutter	



1



Labels						Electric Start
Pos Fig	Art nr Part No	Antal Quantity	Description	Benämning	Anmärkning Notes	
1	114366875/0	1	Label	Dekal		